



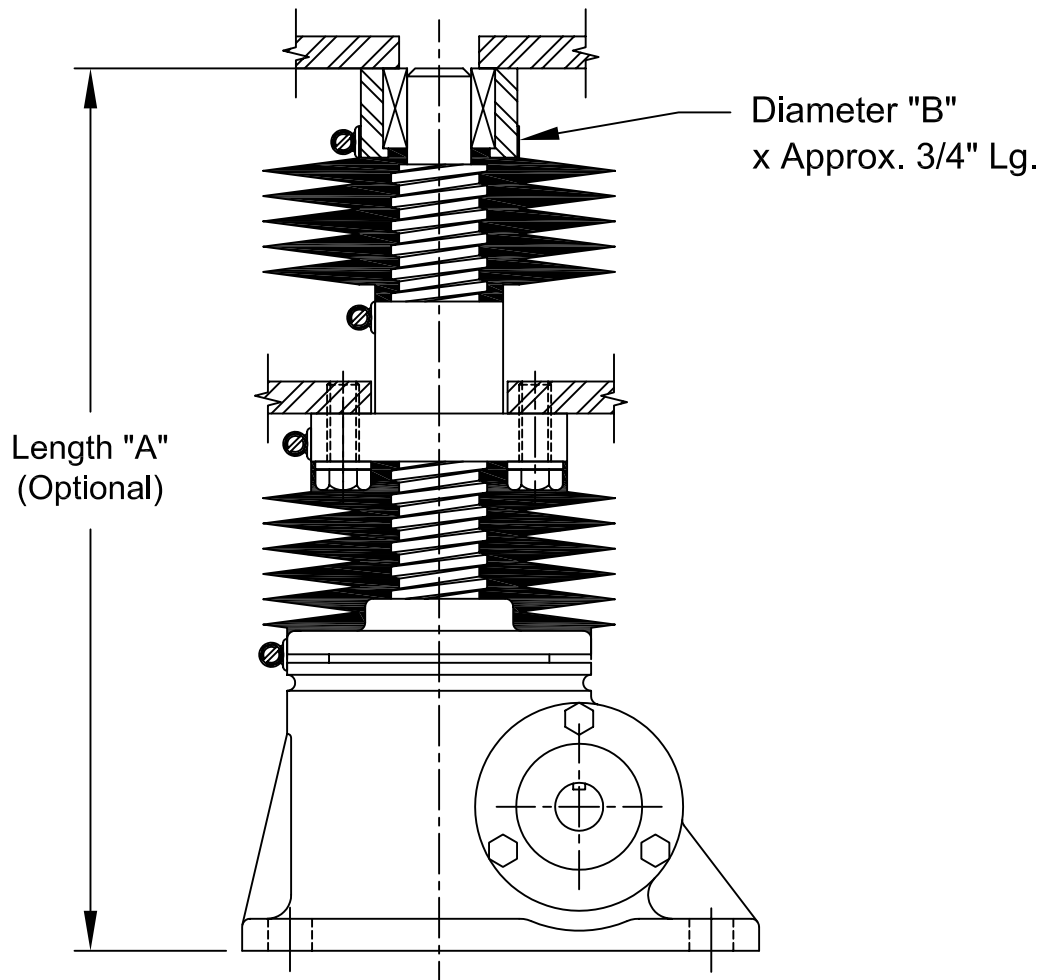
Protective Boot Installation Methods for Traveling Nut Jacks.

Please fill in the required information on one of the following examples and return it to Joyce/Dayton via fax at 937-297-7173, or email to sales@joycedayton.com

JOYCE/DAYTON CORP. 3300 OFFICE PARK DRIVE DAYTON, OH 45439
PHONE 937-294-6261 FAX 937-294-7173
www.joycedayton.com

Figure 1.

Upright Keyed For Traveling Nut Jacks.
Machine Screw, ComDrive, or Bevel Gear Jacks.



Specify Dimensions in Inches

Required Travel Length _____

Length "A" _____ (Optional)

Diameter "B" _____

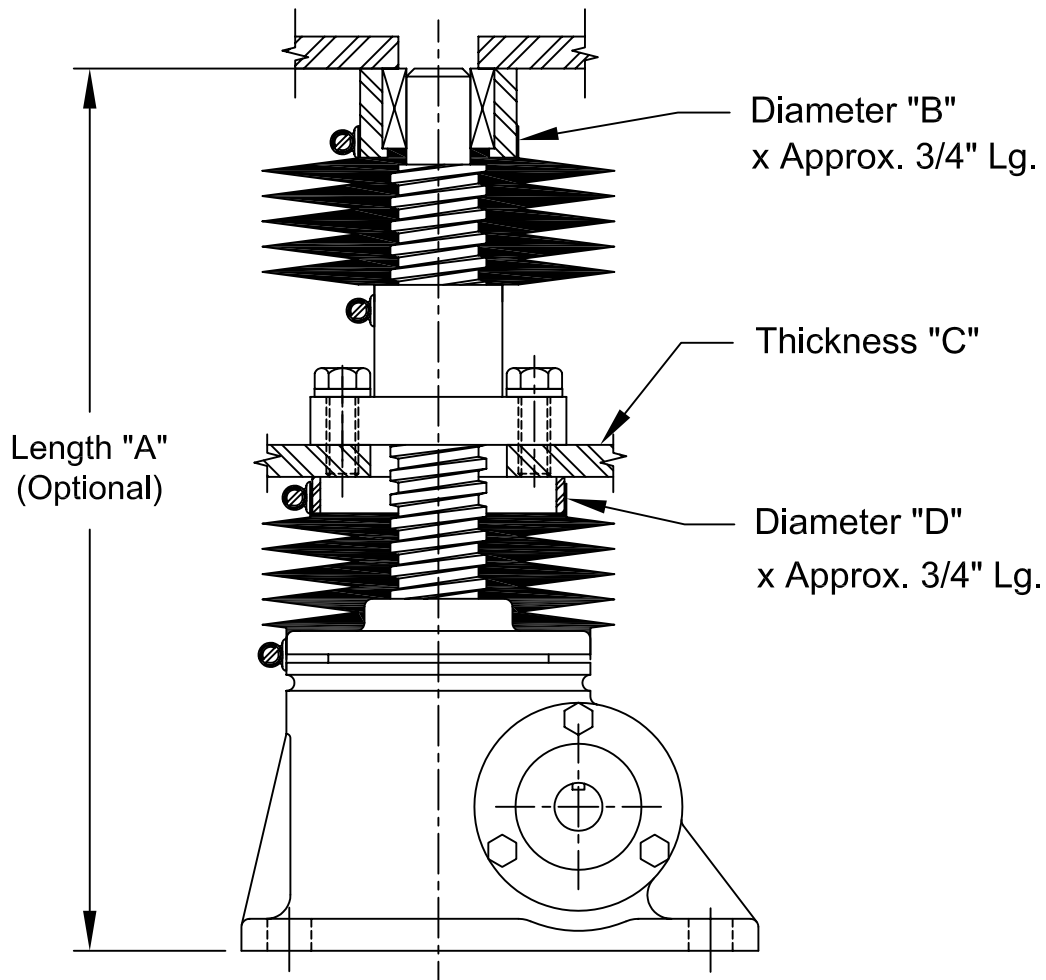
Company Name _____

P.O. Number _____

Figure 2.

Upright Keyed For Traveling Nut Jacks.

Machine Screw, ComDrive, or Bevel Gear Jacks.



Specify Dimensions in Inches

Required Travel Length _____

Length "A" _____, Diameter "B" _____

Thickness "C" _____, Diameter "D" _____

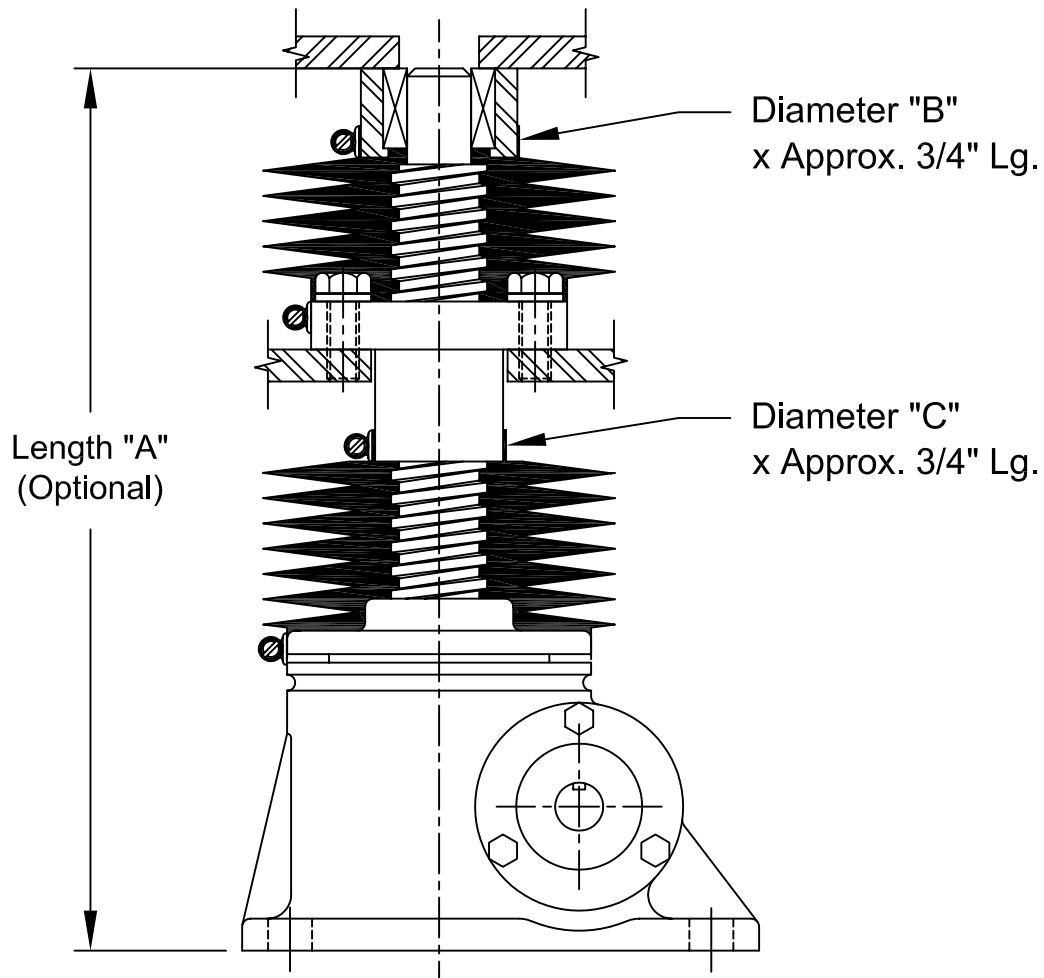
Company Name _____

P.O. Number _____

Figure 3.

Upright Keyed For Traveling Nut Jacks.

Machine Screw, ComDrive, or Bevel Gear Jacks.



Specify Dimensions in Inches

Required Travel Length _____

Length "A" _____ (optional)

Diameter "B" _____ , Diameter "C" _____

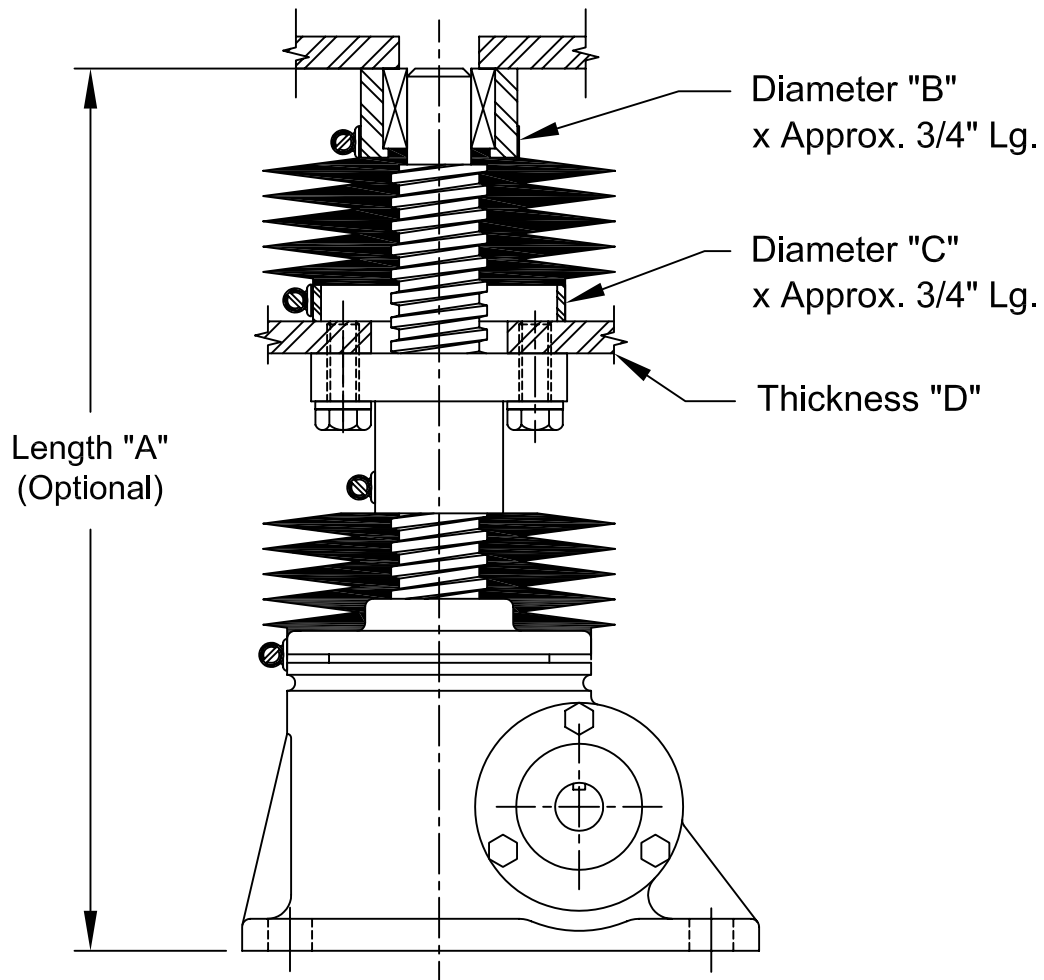
Company Name _____

P.O. Number _____

Figure 4.

Upright Keyed For Traveling Nut Jacks.

Machine Screw, ComDrive, or Bevel Gear Jacks.



Specify Dimensions in Inches

Required Travel Length _____

Length "A" _____, Diameter "B" _____

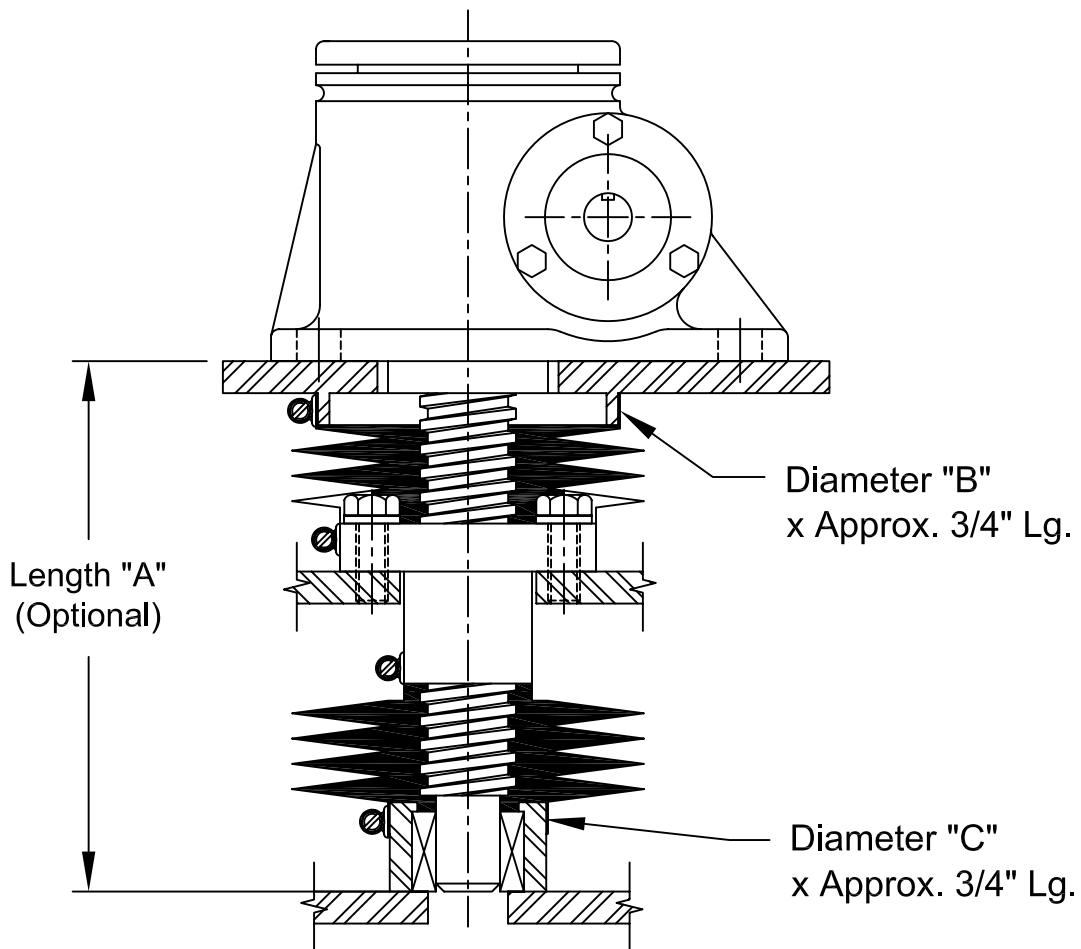
Diameter "C" _____, Thickness "D" _____

Company Name _____

P.O. Number _____

Figure 5.

Inverted Keyed For Traveling Nut Jacks.
Machine Screw, ComDrive, or Bevel Gear Jacks.



Specify Dimensions in Inches

Required Travel Length _____

Length "A" _____ (optional)

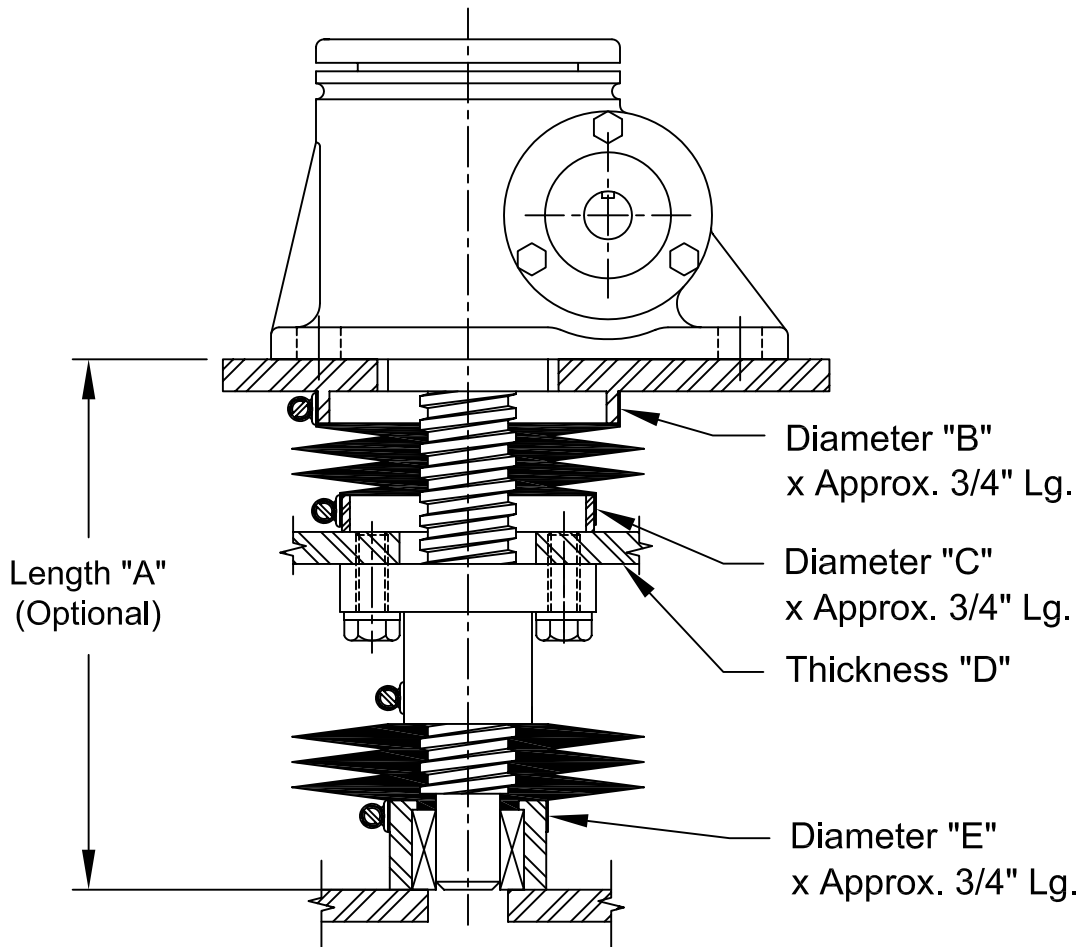
Diameter "B" _____ , Diameter "C" _____

Company Name _____

P.O. Number _____

Figure 6.

Inverted Keyed For Traveling Nut Jacks.
Machine Screw, ComDrive, or Bevel Gear Jacks.



Specify Dimensions in Inches

Required Travel Length _____

Length "A" _____ (optional), Diameter "B" _____ ,

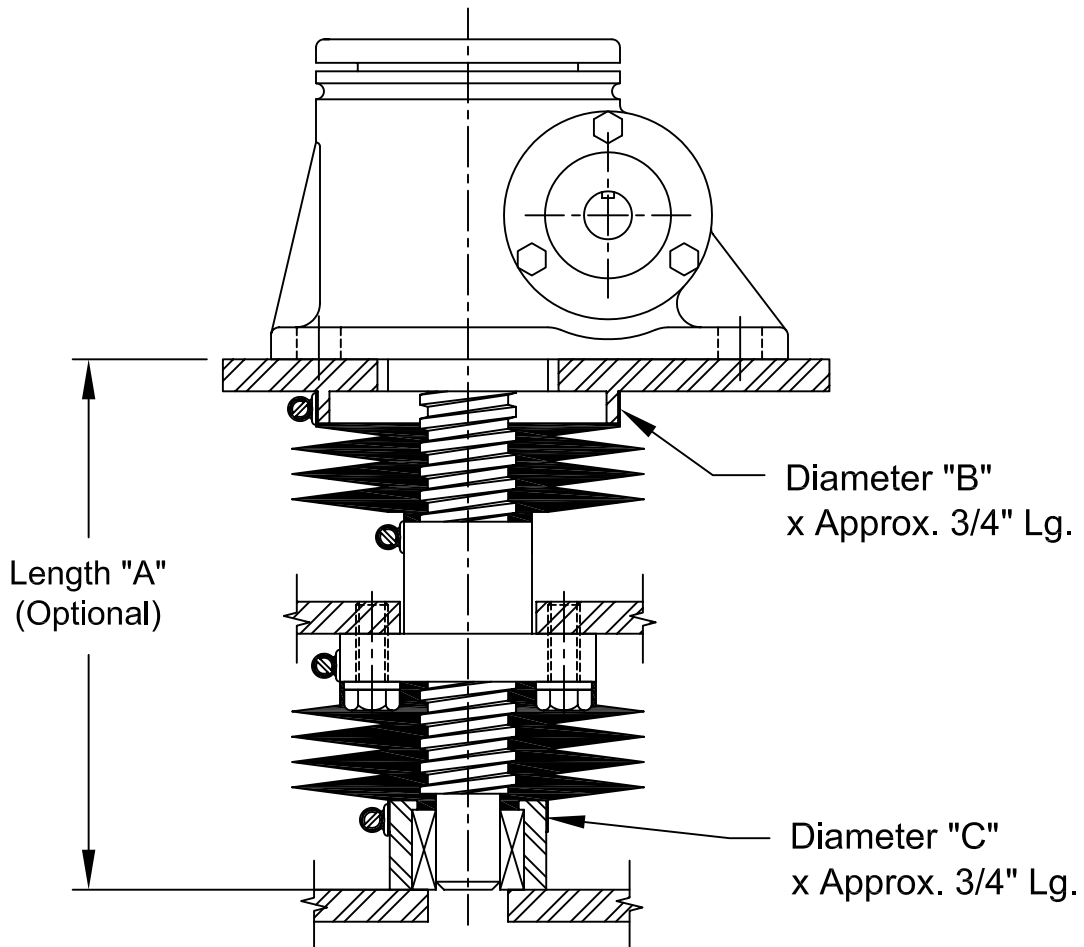
Dia. "C" _____ , Thickness "D" _____ , Dia. "E" _____ ,

Company Name _____

P.O. Number _____

Figure 7.

Inverted Keyed For Traveling Nut Jacks.
Machine Screw, ComDrive, or Bevel Gear Jacks.



Specify Dimensions in Inches

Required Travel Length _____

Length "A" _____ (optional)

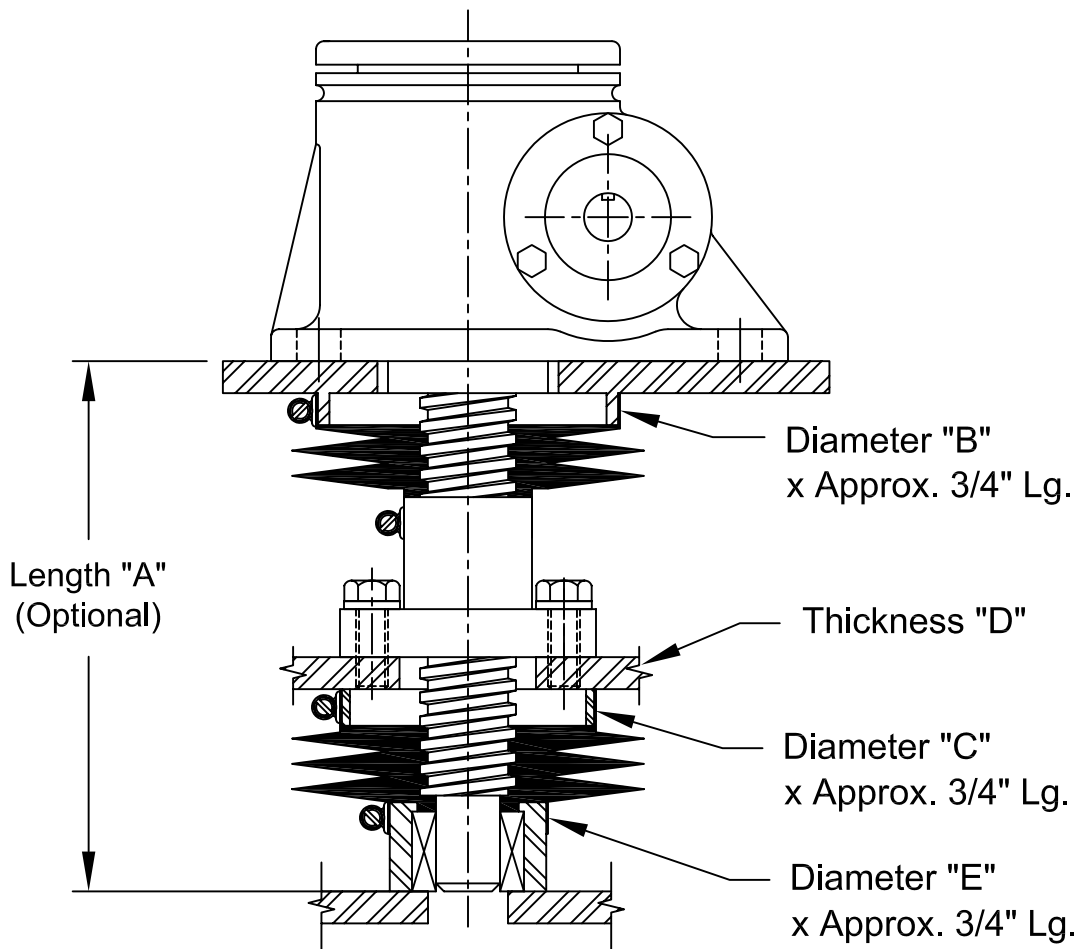
Diameter "B" _____ , Diameter "C" _____

Company Name _____

P.O. Number _____

Figure 8.

Inverted Keyed For Traveling Nut Jacks.
Machine Screw, ComDrive, or Bevel Gear Jacks.



Specify Dimensions in Inches

Required Travel Length _____

Length "A" _____ (optional), Diameter "B" _____ ,

Dia. "C" _____ , Thickness "D" _____ , Dia. "E" _____ ,

Company Name _____

P.O. Number _____