

# ACCESSORIES MITER GEAR BOXES

Joyce miter gear boxes are specifically engineered for use with Joyce jacks and actuators in multiple jacks systems. Miter gear boxes used in such systems effectively raise unevenly distributed loads. When driven shaft turns per inch of travel are the same, total synchronization is assured because all models have a uniform lifting speed. Arrows in assembly drawings below indicate shaft rotation.

All standard Joyce miter gear boxes are 1:1 ratio, other ratios are available in the RC series units. Four-shaft units are also available in the RC-18 through RC-204 and the MK series.



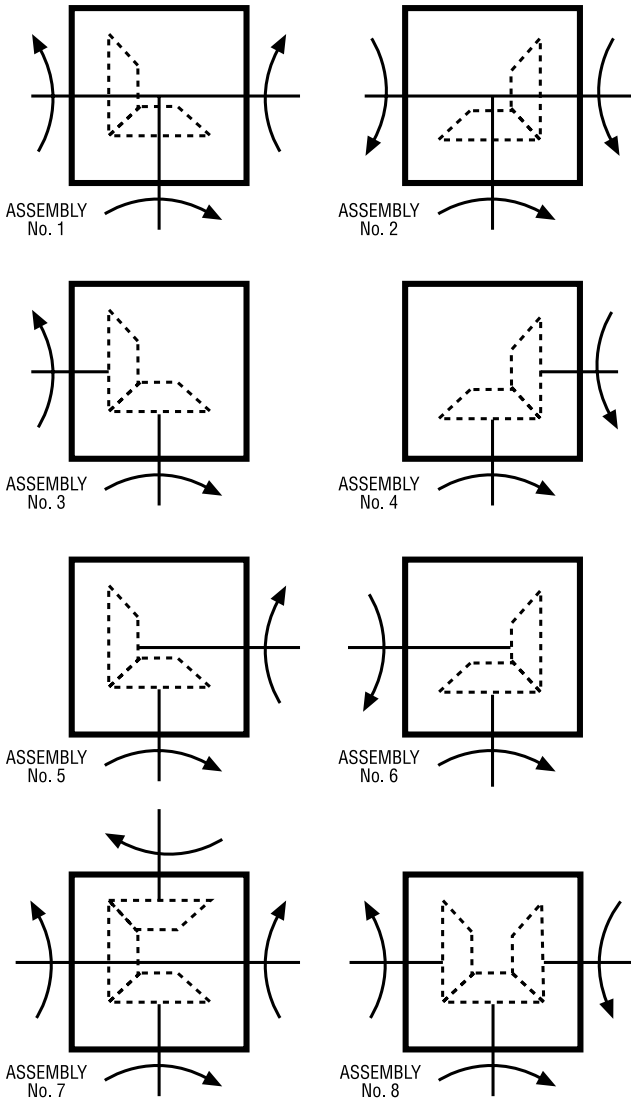
RC-6, RC-9 and RC-12



RC-15 through RC-204



MK Series



Assembly No. 7 and 8 availability:

- RC-18 RC-38
- RC-99 RC-204
- MKA

Note: Drawings are artist's conception — not for certification; dimensions are subject to change without notice.  
When ordering miter gear boxes specify model numbers and assembly numbers.

# ACCESSORIES MITER GEAR BOXES

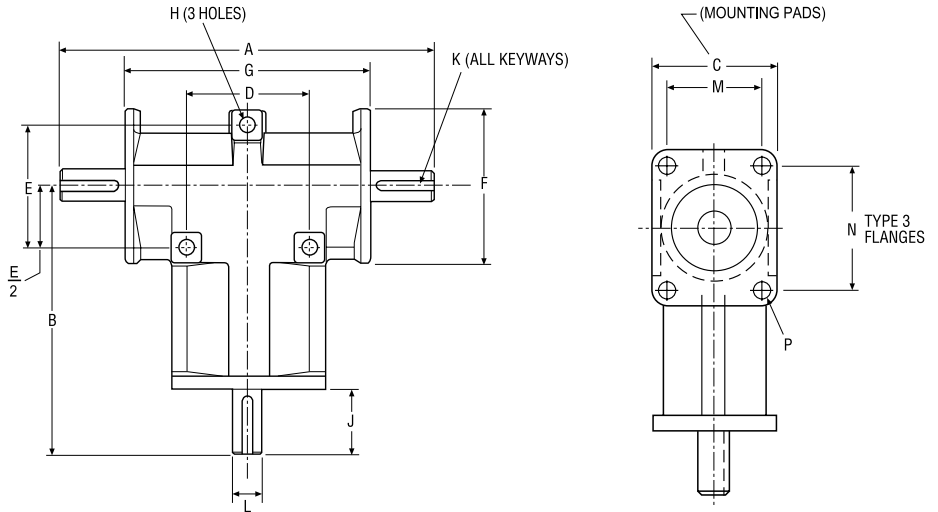
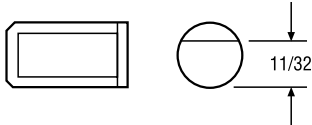
## RC-6 THROUGH RC-12

### Lubrication

Units are lifetime lubricated.

RC-6 shafts feature flats (shown below).

RC-9 and RC-12 models have keyways.



Model No.	Maximum Torque Rating* (In. Lbs.)	Max. HP	Max. RPM	A	B	C	D	E	F	G	H	J	K	L	M	N	P	Approx. Wt. (Lbs.)
RC-6	36	0.21	5,000	4 5/16	2 15/16	1 1/4	1 5/16	1 5/16	1 5/8	2 3/4	7/32	25/32		3/8	7/8	1 3/16	3/16	3/4
RC-9	130	0.75	5,000	7 3/8	4 13/16	2	1 7/8	1 7/8	2 1/2	4 1/4	9/32	1 9/16	3/16 x 1 3/8	5/8	1 3/8	1 7/8	9/32	3
RC-12	382	2.17	5,000	9 1/8	6 9/16	3	3	3	3 7/8	6	3/8	1 9/16	3/16 x 1 3/8	3/4	2 1/4	3	3/8	8

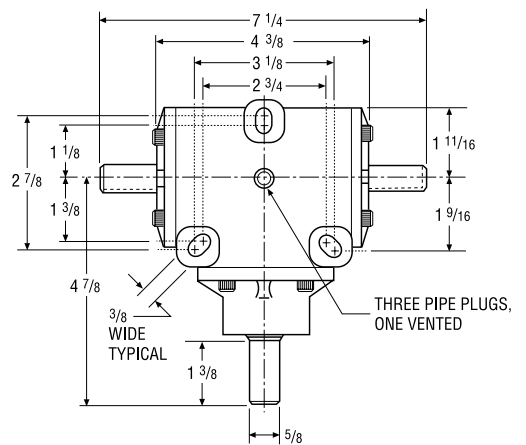
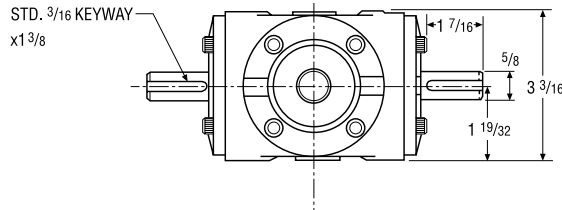
\* Torque @ 100 RPM and 750 hours of life.

## RC-15

### Lubrication

Fill with 6 ounces. EP-90 gear oil for normal operation. Units are shipped less lubricant.

Dimensions are representative of 1:1 ratio miter boxes.



Model No.	Maximum Torque Rating* (In. Lbs.)	Max. HP	Max. RPM	Approx. Wt. (Lbs.)
RC-15	498	3.16	2,800	5

\* Torque @ 100 RPM and 750 hours of life.

Note: Drawings are artist's conception — not for certification; dimensions are subject to change without notice.

# ACCESSORIES MITER GEAR BOXES

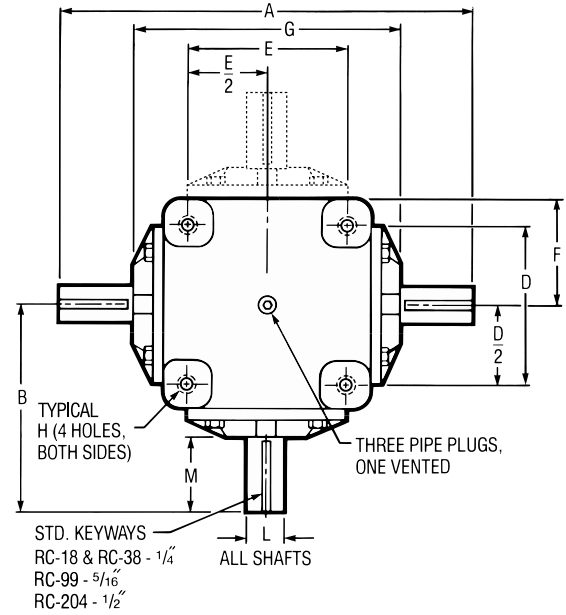
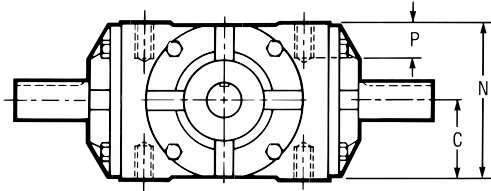
## RC-18 THROUGH RC-204

### Lubrication

Units shipped less lubricant.  
Fill with EP-90 gear oil

Model RC-18	1 pint
Model RC-38	1 1/2 pints
Model RC-99	4 1/2 pints
Model RC-204	8 pints

Dimensions are representative  
of 1:1 ratio miter boxes.



Model No.	Maximum Torque Rating* (In. Lbs.)	Max. HP@ 400 RPM	Max. RPM	Gears	A	B	C	D	E	F	G	H	L	M	N	P	Approx. Wt. (Lbs.)
RC-18	1,803	11.53	1800	Precision Forged	11	5 1/2	2 1/16	4 1/4	4 1/4	2 3/4	7	3/8-16	.9995 .9980	2	4 1/8	11/16	26
RC-38	3,873	26.30	1400	Precision Forged	13	6 1/2	2 13/16	4 1/2	4 1/2	2 7/8	8	1/2-13	1.2495 1.2480	2 1/2	5 5/8	7/8	39
RC-99	9,927	72.54	1000	Precision Forged	16 1/2	8 1/4	3 3/4	6	6	4 1/8	10 5/8	1/2-13	1.3745 1.3730	2 15/16	7 1/2	1 3/8	72
RC-204	20,400	181.75	800	Precision Forged	19	9 1/2	4 3/4	8	8	4 15/16	13	5/8-11	1.9995 1.9980	3	9 1/2	1 1/4	172

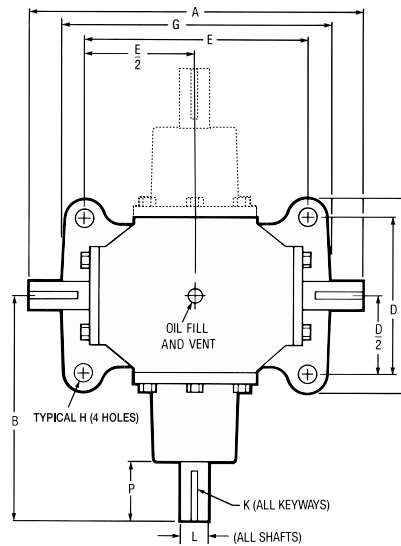
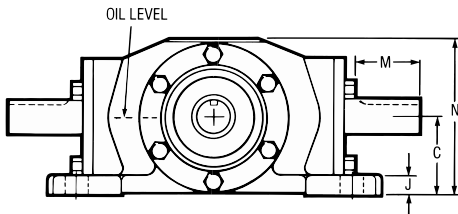
\*Torque @ 100 RPM and 750 hours of life.

## MK SERIES

### Lubrication

Units shipped less lubricant.  
Fill with EP-90 gear oil.

Model MKA 1 1/4 pints



Model No.	Maximum Torque Rating (In. Lbs.)	A	B	C	D	E	F	G	H	J	K	L	M	N	P	Approx. Wt. (Lbs.)
MKA	3,000	12	8	2 1/4	5 1/2	8	6 7/8	9 9/16	11/16	1/2	1/4 x 1/8 x 1 1/2	1.0005 .9995	1 31/32	4 9/16	2 1/8	33

Note: Drawings are artist's conception — not for certification; dimensions are subject to change without notice.